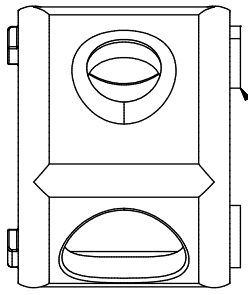
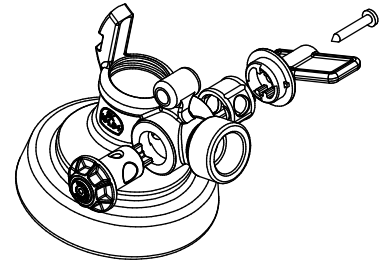


The sparepart kit only includes
122-083 and 703-895

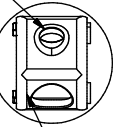
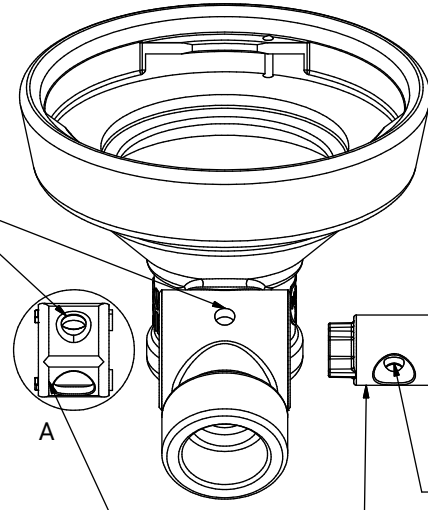


A (3:1)

make sure that the half circle points against bottom in body when it will be mounted



Small hole must be next to each other

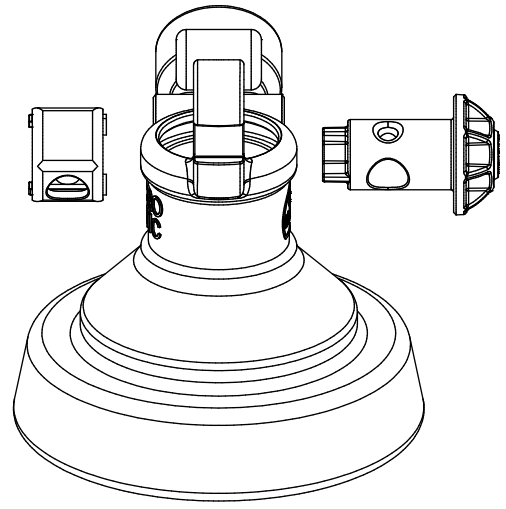



A

122-083

703-895

Make sure that the small hole points the opposite way compared to the small hole on the part 122-083



REVISION (05-01-2023 - CJO): New			
Treatment Surface / Specification or Colour		Description	
Material Specification		Sparepart kit, PRV included sealing - KeyKeg	
		Net Weight	Classification
		Titel	
Created Date	Item Number	Revision	
	112-874	C00	
THIS DRAWING IS THE PROPERTY OF MICRO MATIC A/S AND MUST NOT BE USED, DISCLOSED OR REPRODUCED WITHOUT PRIOR WRITTEN AUTHORITY.			