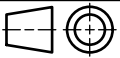


1

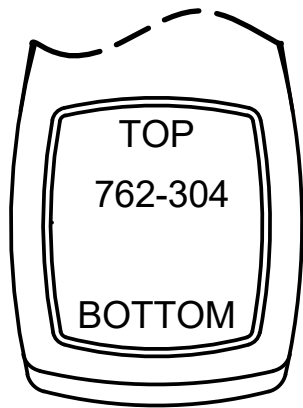
2

3

4



FOR LOGO INFORMATION:
SEE ORDER AND LABEL
CATALOG 001-440

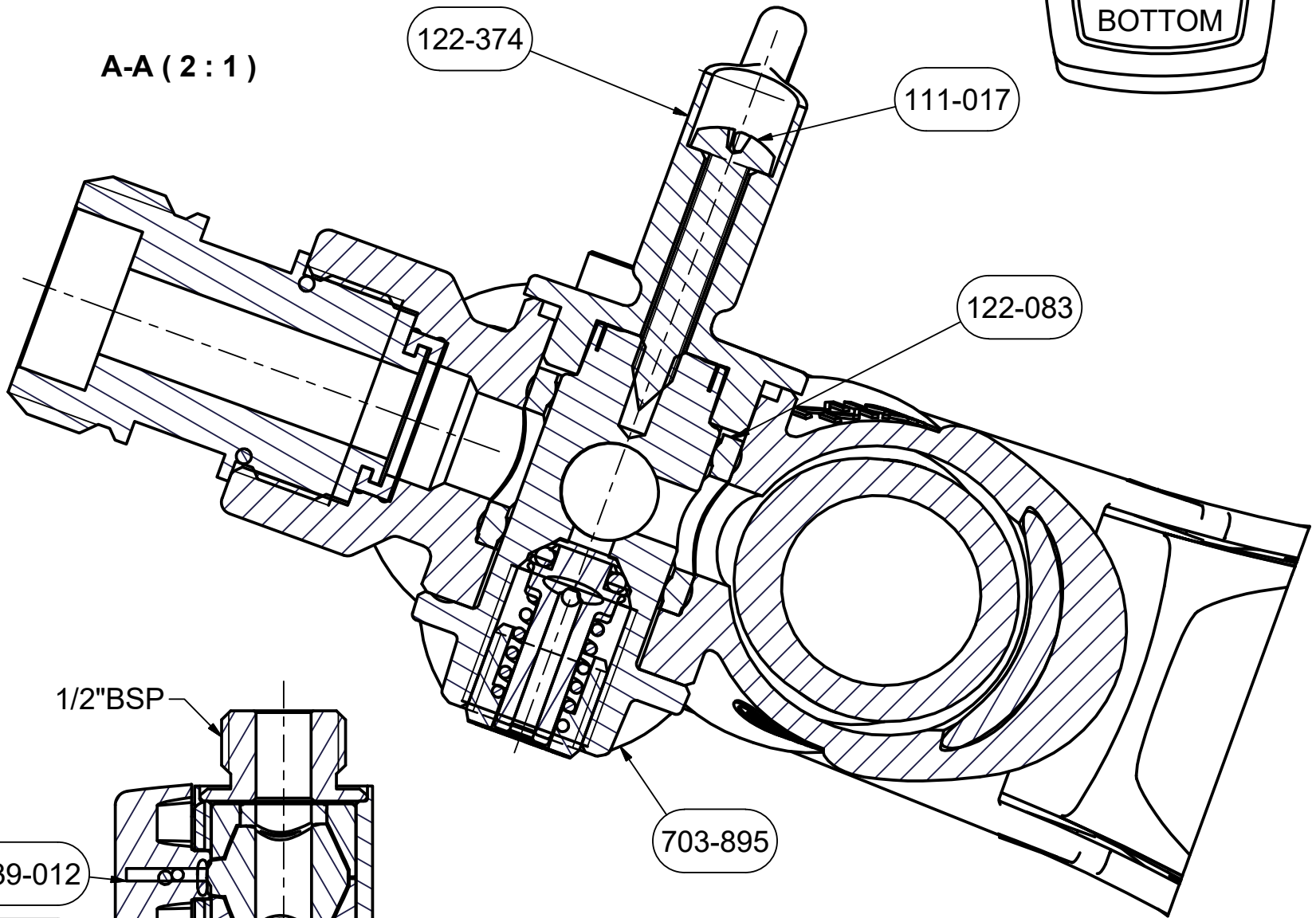


A-A (2:1)

122-374

111-017

122-083



703-895

1/2" BSP

239-012

703-893

703-810

762-120

703-894

1/2" BSP

122-385

102-542

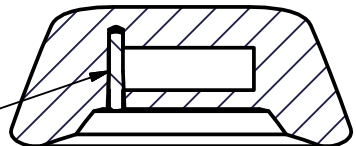
762-100

D-D (1:1)

102-539

100-461

112-711



Assembled according to 002-414
Leak test according to test specification 002-412

Date code: 001-369

FINAL INSPECTION CERTIFICATE | 10-4-1-2-20

REVISION C00 (17-12-2018 - CJO): New

TREATMENT SURFACE / SPECIFICATION OR COLOUR

DESCRIPTION

MATERIAL SPECIFICATION

MF-KK 1/2" BSP
KeyKeg Fillinghead

NET WEIGHT
998 g

DRW.NO. - REV.

CREATIONDATE:
17-12-2018

214-071C00

Packaging: 105-370
Add leaflet 105-392



THIS DRAWING IS THE PROPERTY OF MICRO MATIC A/S AND MUST NOT BE USED, DISCLOSED OR REPRODUCED WITHOUT PRIOR WRITTEN AUTHORITY.

FILENAME: C:\Vault\WF\Designs\Production\Beer\214-071.idw

1

2

3

4

A

A

B

B

C

C

D

D

E

E

F

F