

Specifications:

Model: Skagen I1

Material: Stainless steel

Surface: Brushed

Branding: LED/QC

Fixation: Through bar (1.5" BSP)

Tap: T-tap

Handle: Black alu, 3/8" big

Shank thread: 1/2"

Beer line: 3/16" - Valpar

Cooling line: 1/2"

Note:

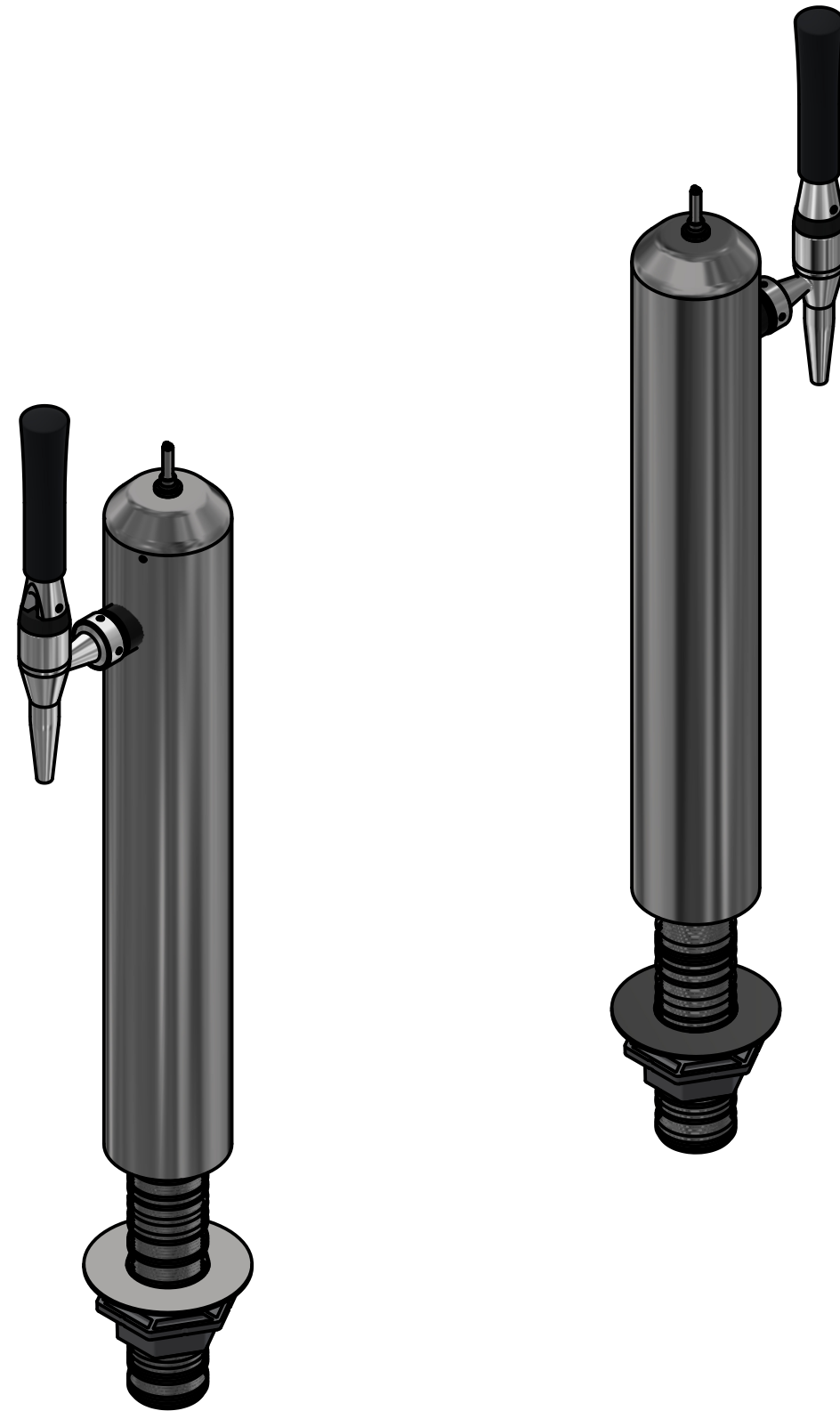
19-035 - Skagen I1 - Brushed, T-tap - LED/QC

Material:

20/10/2020

c:\temp\39592e1f-5e38-46ae-9f7b-81d0dd274149\WF\1110102.idw

THIS DRAWING IS THE PROPERTY OF MICRO MATIC A/S AND MUST NOT BE USED, DISCLOSED OR REPRODUCED WITHOUT PRIOR WRITTEN AUTHORITY.



Material:

20/10/2020

c:\temp\39592e1f-5e38-46ae-9f7b-81d0dd274149\WF\1110102.idw

THIS DRAWING IS THE PROPERTY OF MICRO MATIC A/S AND MUST NOT BE USED, DISCLOSED OR REPRODUCED WITHOUT PRIOR WRITTEN AUTHORITY.