

Specifications

Model: Skagen I1

Material: Stainless steel

Surface: Brushed

Branding: No branding

Fixation: Clamp on

Tap: T-tap

Handle: Black alu, 3/8" small

Shank thread: 1/2"

Beer line: 5/16" - Valpar

Cooling line: None

Note:

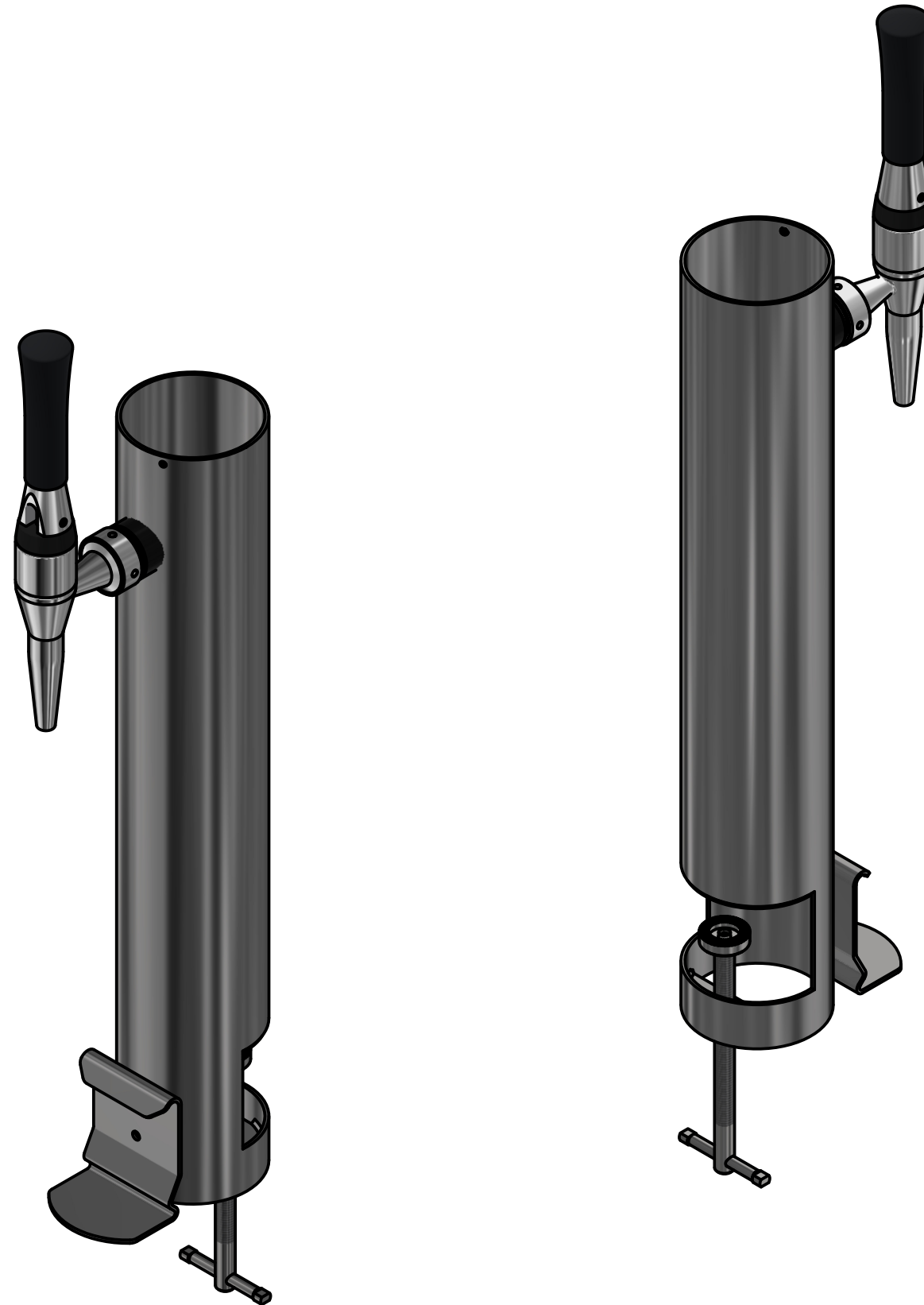
19-021 - Skagen I1 - CTB - Brushed, T-tap - No branding

Material:

14/09/2022

c:\temp\af3243ed-3b9b-4f35-a70f-60161ae24046\WF\1110115.idw

THIS DRAWING IS THE PROPERTY OF MICRO MATIC A/S AND MUST NOT BE USED, DISCLOSED OR REPRODUCED WITHOUT PRIOR WRITTEN AUTHORITY.



Material:

14/09/2022

c:\temp\af3243ed-3b9b-4f35-a70f-60161ae24046\WF\1110115.idw

THIS DRAWING IS THE PROPERTY OF MICRO MATIC A/S AND MUST NOT BE USED, DISCLOSED OR REPRODUCED WITHOUT PRIOR WRITTEN AUTHORITY.