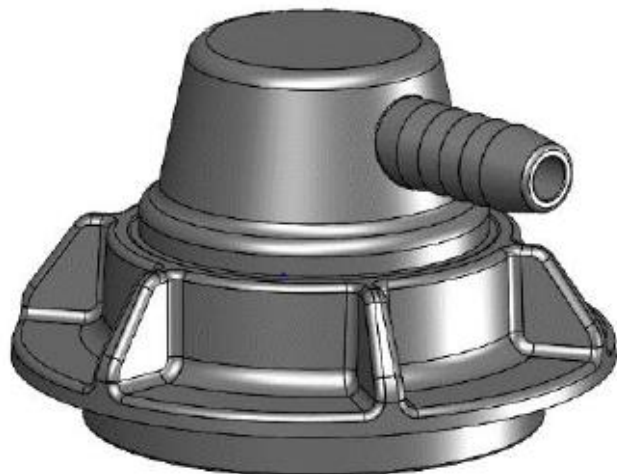




1910L-EU 0,375 “Connector

265868

<input type="checkbox"/> Ind. Food	<input type="checkbox"/> IBC	<input checked="" type="checkbox"/> Food Service	<input type="checkbox"/> Dairy Aseptic	<input type="checkbox"/> Egg ESL
<input type="checkbox"/> Tomato	<input checked="" type="checkbox"/> Wine	<input type="checkbox"/> Chemicals	<input type="checkbox"/> Dairy ESL	<input type="checkbox"/> Egg Frozen
<input type="checkbox"/> Citrus	<input checked="" type="checkbox"/> Syrup	<input type="checkbox"/> Oil	<input type="checkbox"/> Dairy Ref.	<input type="checkbox"/> Water



The 1900 L connector is designed for dispensing of non-particulated food and non-food products. This screw-on connector has a shut-off to vacuum feature when disconnected for use with auto pump out systems.

The 1900 connector complies with USFDA and EU food contact regulations.

Material:	Polypropylene
O-ring Material:	EPDM

Process Applications	
<input checked="" type="checkbox"/> Ambient	<input type="checkbox"/> Hot Fill
<input type="checkbox"/> Aseptic	<input type="checkbox"/> Low Acid
<input checked="" type="checkbox"/> ESL	

Property	Typical Value
Hose Barb Size	0.393 in. / 10 mm
Hose Connection I.D.	9,5 mm hose
Thread Connection	1.275 - 4 NC
Spring Material	302 SS

The information listed above is supplied in good faith and does not comprise a specification or warranty of any kind, either expressed or implied, including those of merchantability and fitness for purpose. Customers should determine the suitability of these materials for their specific use based upon their own internal criteria. Tests on individual samples may vary from those shown.

