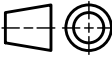


1

2

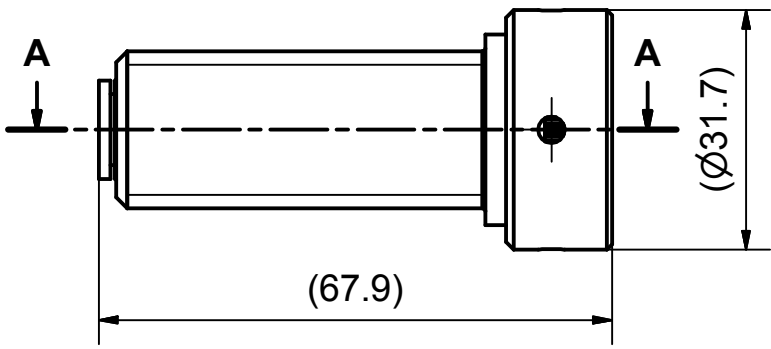
3

4



A

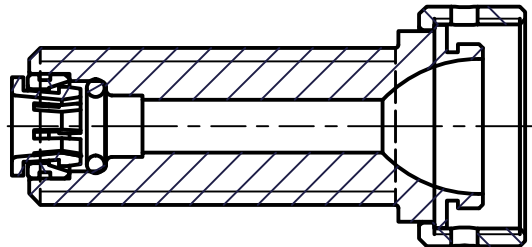
A



B

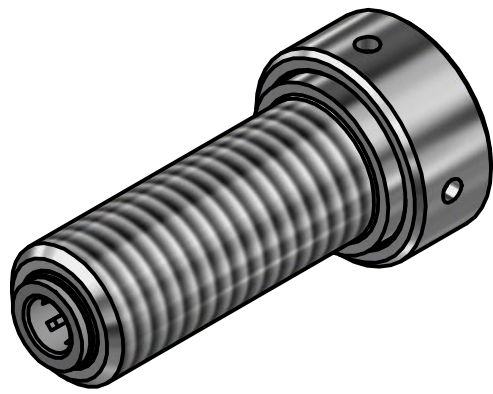
B

A-A



C

C



D

D

E

E

DESCRIPTION
 Shank - US free flow, SS
 50mm. W. 5/16" JG, 1/2"



©

F

F

THIS DRAWING IS THE PROPERTY OF MICRO MATIC A/S AND MUST NOT BE USED, DISCLOSED OR REPRODUCED WITHOUT PRIOR WRITTEN AUTHORITY.

1

2

3

4