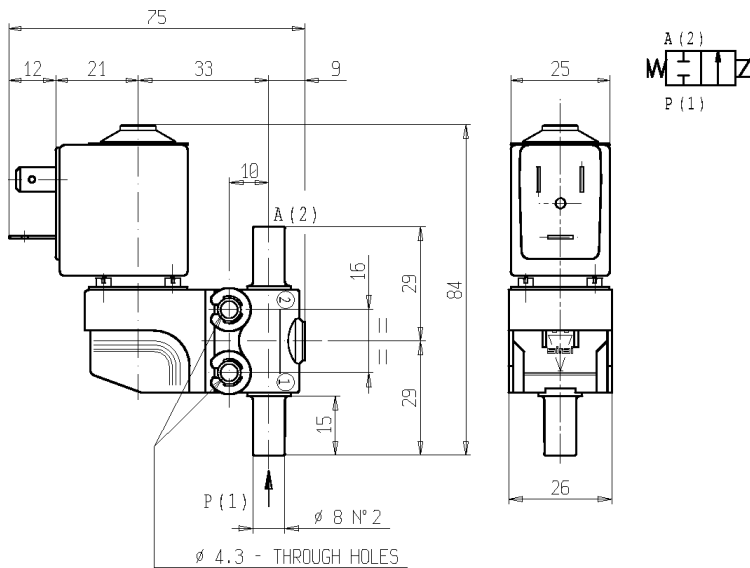




SOLENOID VALVE - DRY
2/2 – NC (Normally closed)
Direct acting - Total isolation
Barbed port

D118



► **GENERAL FEATURES**

Direct acting, total isolation solenoid valve: the actuator is totally isolated from the fluid so that the wetted parts are just the body and the lever-seal.

Possibility of disassembling for inspection.

Core duly coated by PTFE (polytetrafluoroethylene) based self lubricating material.

Suitable to shut off liquid and gaseous fluids (verify the compatibility of fluid with materials in contact).

► **TECHNICAL FEATURES**

<i>Maximum allowable pressure (PS)</i>	12 bar
<i>Opening time</i>	~ 25ms
<i>Closing time</i>	~ 25ms
<i>Fluid temperature</i>	-10°C +100°C
<i>Max viscosity</i>	5°E (~37 cStokes o mm ² /s)

► **MATERIALS IN CONTACT WITH FLUID**

<i>Body</i>	PEI (Polyetherimide)
<i>Sealing</i>	VMQ or FPM or EPDM

► **COIL**

<i>Continuous duty</i>	ED 100%
<i>Encapsulation material</i>	PET (polyethylene terephthalate) fiberglass reinforced
<i>Coil insulation class</i>	F (155°C)
<i>Ambient temperature</i>	-10 C° +60 °C
<i>Electric connections</i>	DIN 46340 - 3 poles connector
<i>Protection degree</i>	IP 65 (EN 60529) with plug connector
<i>Voltages</i>	DC 12-24V (+10% -5%)
	AC 24V/50-60Hz - 110V/50-60Hz (120V/60Hz)
	230V/50-60Hz (+10% -15%)
	(Other voltages and frequencies on request)

Port size	Orifice size (mm)	Differential pressure (bar)				Kv (m ³ /h)	Series and type		Power absorption			Sealings	Notes	Weight (kg)	
		Δp min	Δp max				Valve	Coil	AC (VA)		DC (W)				
			Gases		Liquids				Inrush	Holding					
			AC	DC	AC										DC
Barbed port	2,7	0	10		10	0,23	D118D03	Z610A	16	10	6	EPDM	1	0,150	
			5	5	5		5					D118S03			VMQ
			10		10							D118V03			FPM
	6			6			D118D03					EPDM			-
	3		3	3	3		D118S03					VMQ			
	6			6			D118V03					FPM			
	3,4				0,30										

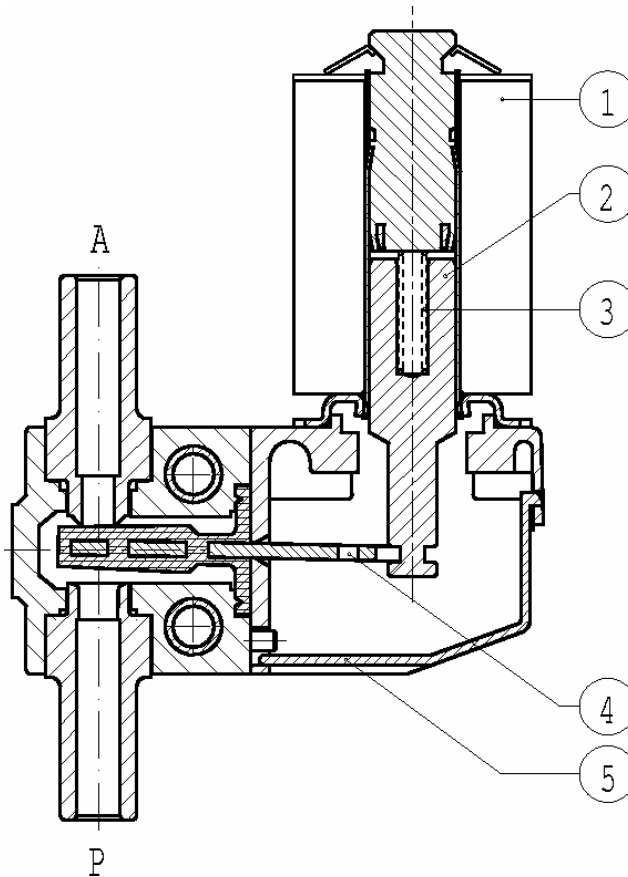
► **NOTES**

- Sealings : FPM = Fluoro-carbon elastomer VMQ = Silicone elastomer EPDM = Ethylene-propylene elastomer
 1 - Models available on request only: ask for minimum quantity.

0607/0705

D118

► SPARE PARTS



Kit description	Kit P.N.	Consisting of:
Core kit	G3049401	Core pos.2 Core return spring pos.3
Lever seal	D118D03 D118S03 D118V03 2815206R 2815202R 2815203R	Lever seal pos.4
Cover kit	G2883901	N. 10 cover pos. 5
Coil	Z610A	Coil pos. 1

► MOUNTING

- Solenoid valve can be mounted in any position.

THE VALIDITY OF REPORTED DATA IS REFERRED TO THE DATE OF ISSUE. POSSIBLE UPDATING ARE AVAILABLE ON REQUEST.